

Ventilation Equipment

Hood without fan motor for 6 & 10 GN 2/1 lengthwise combi ovens

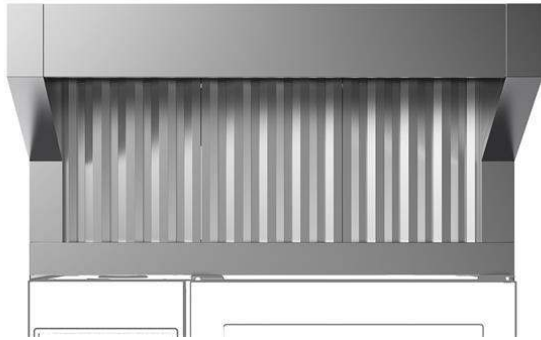
ITEM # _____

MODEL # _____

NAME # _____

SIS # _____

AIA # _____


922734 (HOBT21)

 Exhaust hood without fan for
 6&10x2/1 GN oven

Short Form Specification

Item No. _____

- Constructed in 304 AISI stainless steel
- Equipped with labyrinth filters in 304 AISI stainless steel (positioned on front)
- Suitable for installation on LW COMBI OVENS 6 & 10 GN 2/1.

Main Features

- Filtering surface protects against fire hazard.
- Requires connection to an external exhaust air duct.
- Frontal labyrinth and condensation filters are easy to remove and cleanable in a dishwasher.
- Can be used with 6 and 10 GN 2/1 LW combi ovens.
- Double step door opening (PNC 922265) is suggested to improve filtering performance.

Construction

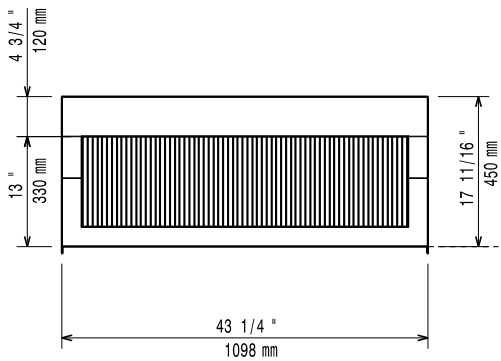
- Constructed entirely in 304 AISI stainless steel.
- Prefiltering of exhaust steam through stainless steel labyrinth filters.
- Developed and produced in ISO 9001, ISO 14001 and ISO 50001 certified factory.
- Must be installed in a space where normal aeration, according to regulations, is present.

Optional Accessories

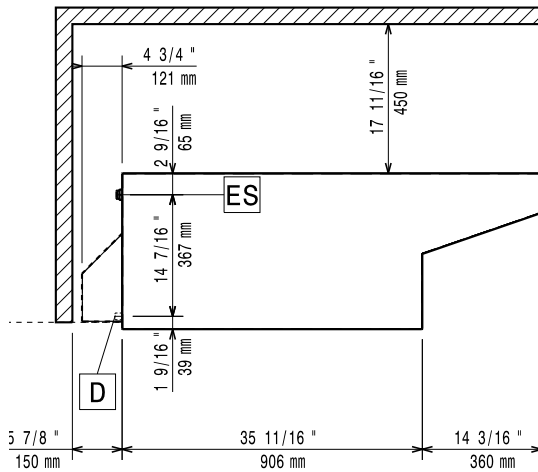
- Hood Hopper to directly connect the Hood to the centralized ventilation system, for Standard Hoods (with fan motor) and Hoods without fan motor PNC 922751

APPROVAL: _____

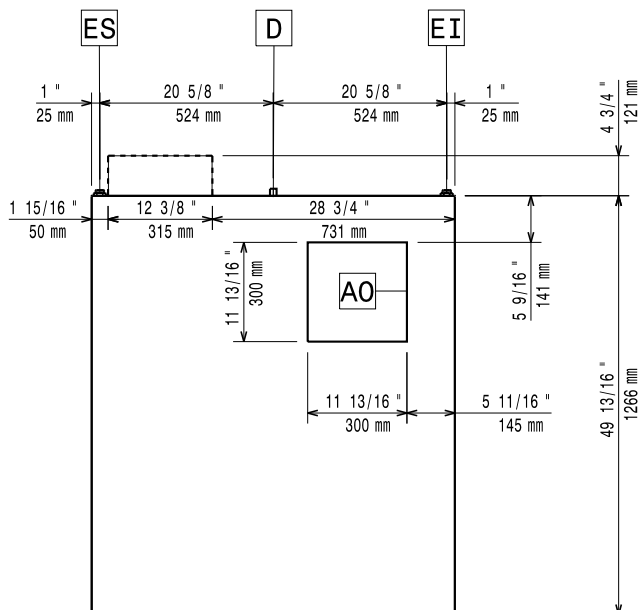
Front



Side



Top



Key Information:

External dimensions, Width:

922734 (HOB21) 1098 mm

External dimensions, Depth: 1266 mm

External dimensions, Height: 450 mm

Net weight: 27 kg

Shipping weight: 47 kg

Air Emission:

Air capacity: 1200-1500 m³/h